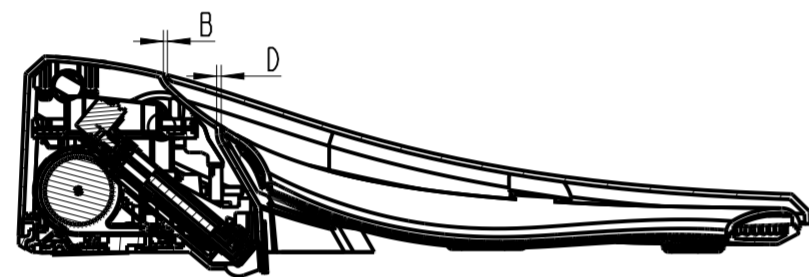
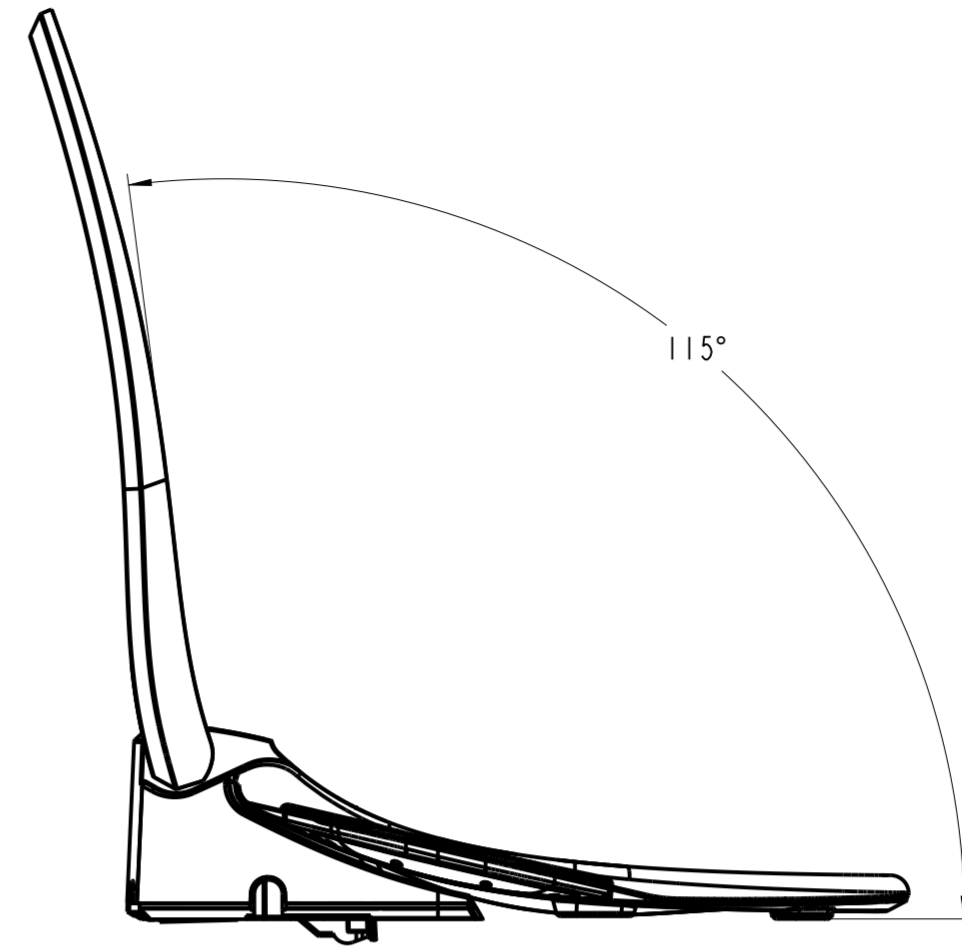
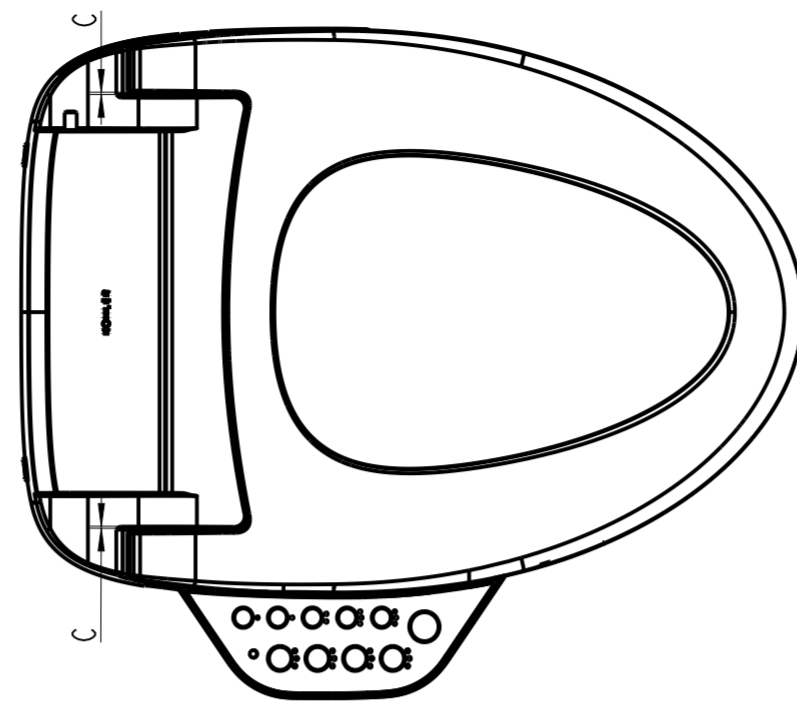
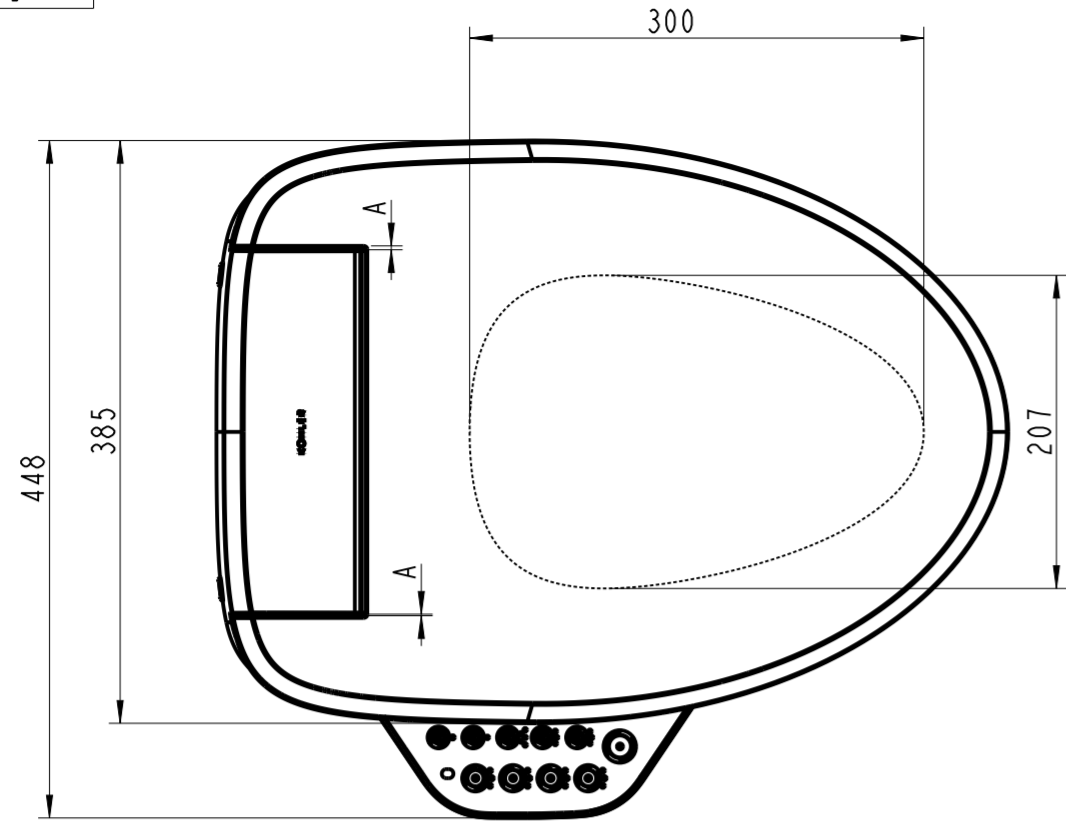
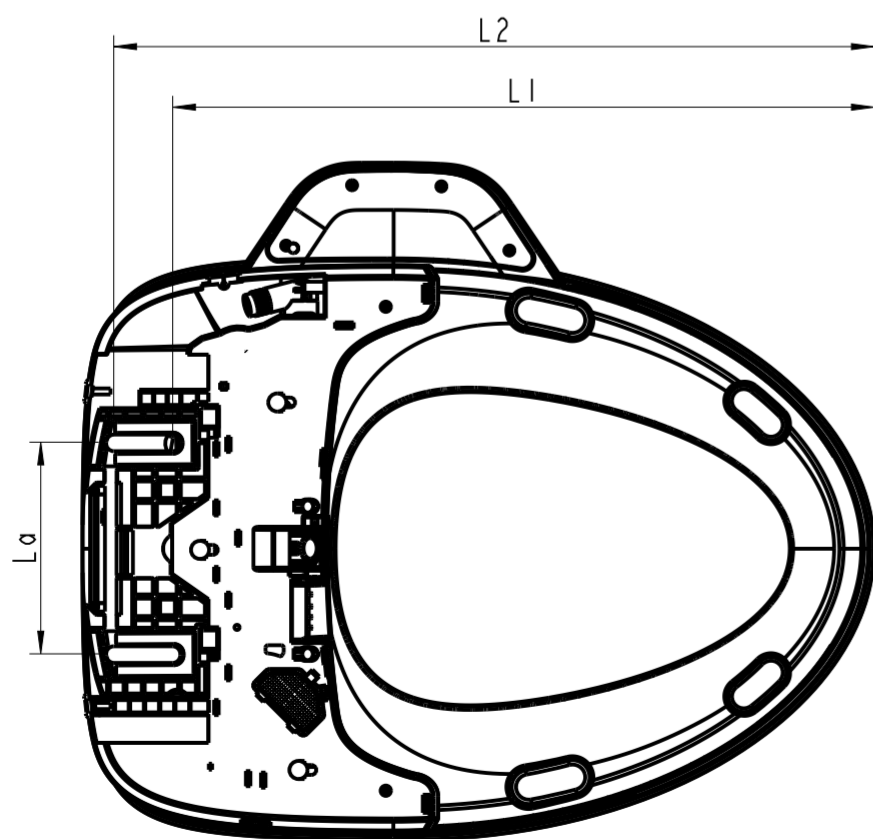
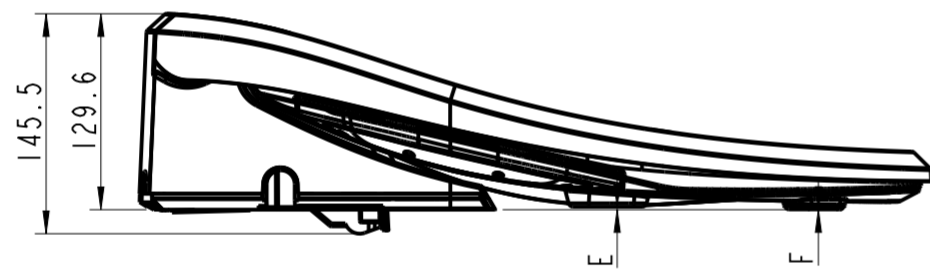


1422520

SYM	DESCRIPTION	PC I	DATE	DRAWN	CHECKED	APPROVE
-	New release	C2004784	12-Jan-22	FYG	ZXW	KUANG



截面 B-B



No.	描述 NOTICE	图中所示 GRAPHICAL	要求等级 GRADE
1	LID与BODY端面单边间隙(不含台阶)<3.5mm,且左右两侧单边窜动量(含台阶)<1.4mm(总窜动量<2.8mm) @居中放置LID ONESIDE GAP BETWEEN LID AND BODY	A	B
2	LID与BODY顶端斜向间隙:<3.0mm(塞规测量),且最大最小值相差不得超过1mm GAP BETWEEN LID AND TOP DIAGONAL OF BODY	B	B
3	SEAT与BODY端面单边间隙(不含台阶)<3.2mm,且左右两侧单边窜动量(含台阶)<1.0mm(总窜动量<2.0mm) @居中放置SEAT ONESIDE GAP BETWEEN SEAT AND BODY	C	B
4	SEAT与BODY的U型连接面处的斜向间隙:<3.0mm(塞规测量),且最大最小值相差不得超过1mm SLANT GAP BETWEEN SEAT AND U JOINT FACE OF BODY	D	B
5	SEAT后端缓冲垫与安装平面(平面度1mm以内的基准面模拟大平面)间隙:3mm±1mm,且左右两侧相差不得超过1mm GAP BETWEEN REAR BUMPER OF SEAT AND MOUNTING PLATE	E	B
6	SEAT前端缓冲垫与安装平面(平面度1mm以内的基准面模拟大平面)间隙:0mm±1mm,且左右两侧相差不得超过1mm GAP BETWEEN FRONT BUMPER OF SEAT AND MOUNTING PLATE	F	A
7	LID前端与SEAT的翘曲间隙:<6.0mm WARPAGE AT REAR LID AND SEAT	G	B
8	整机底座与整机外壳安装间隙(侧面一圈,含侧键盘部分)≤1mm GAP BETWEEN BASE AND BODY (SIDE FACE, INCLUDE SIDE PANEL)	H	A
9	整机外壳与整机底座安装间隙(底面一圈)≤1mm GAP BETWEEN BASE AND BODY (BOTTOM)	I	A

安装板尺寸(MOUNTING DIMENSION)(La/Lb, L1/L2)

版本/SKU	中心距La/Lb	距前端距离L1/L2
Hidden code/ 非Hidden code	140mm	464mm~500mm

GEOMETRIC DIMENSIONING AND TOLERANCING PER GB IT12-1998

UP TO 10	±0.15	APPROVED	DATE	PLOT DATE	SCALE
10 ~ 25	±0.20	KUANG	12-Jan-22	12-Jan-22	1:5
25 ~ 50	±0.30	DRAWN	DATE	CHECKED	DATE
50 ~ 100	±0.40	FYG	12-Jan-22	ZXW	12-Jan-22
100 ~ 250	±0.60	DO NOT SCALE DRAWING		WEIGHT: I	DWG
250 ~ 500	±1.20	SHANGHAI KOHLER ELECTRONICS LTD.		THIRD ANGLE PROJECTION	A2
500 ~ 750	±2.00	DESCRIPTION 方背整机		MATERIAL:	SIZE
750 ~ 1000	±3.50	C3-PERFECT-MATCH		P/N: 1422520	
TOLERANCE TABLE		DWG. NO.	1422520	SHT:	1 OF 1
METRIC UNITS		MODEL NAME : 1422520			

THIS DRAWING IN DESIGN AND DETAILS IS THE PROPERTY OF KOHLER CO. AND MAY NOT BE USED EXCEPT IN CONNECTION WITH KOHLER CO. WORK. ALL RIGHTS OF DESIGN OR INVENTION ARE RESERVED.

SIZE A2